



**MICROSENS**

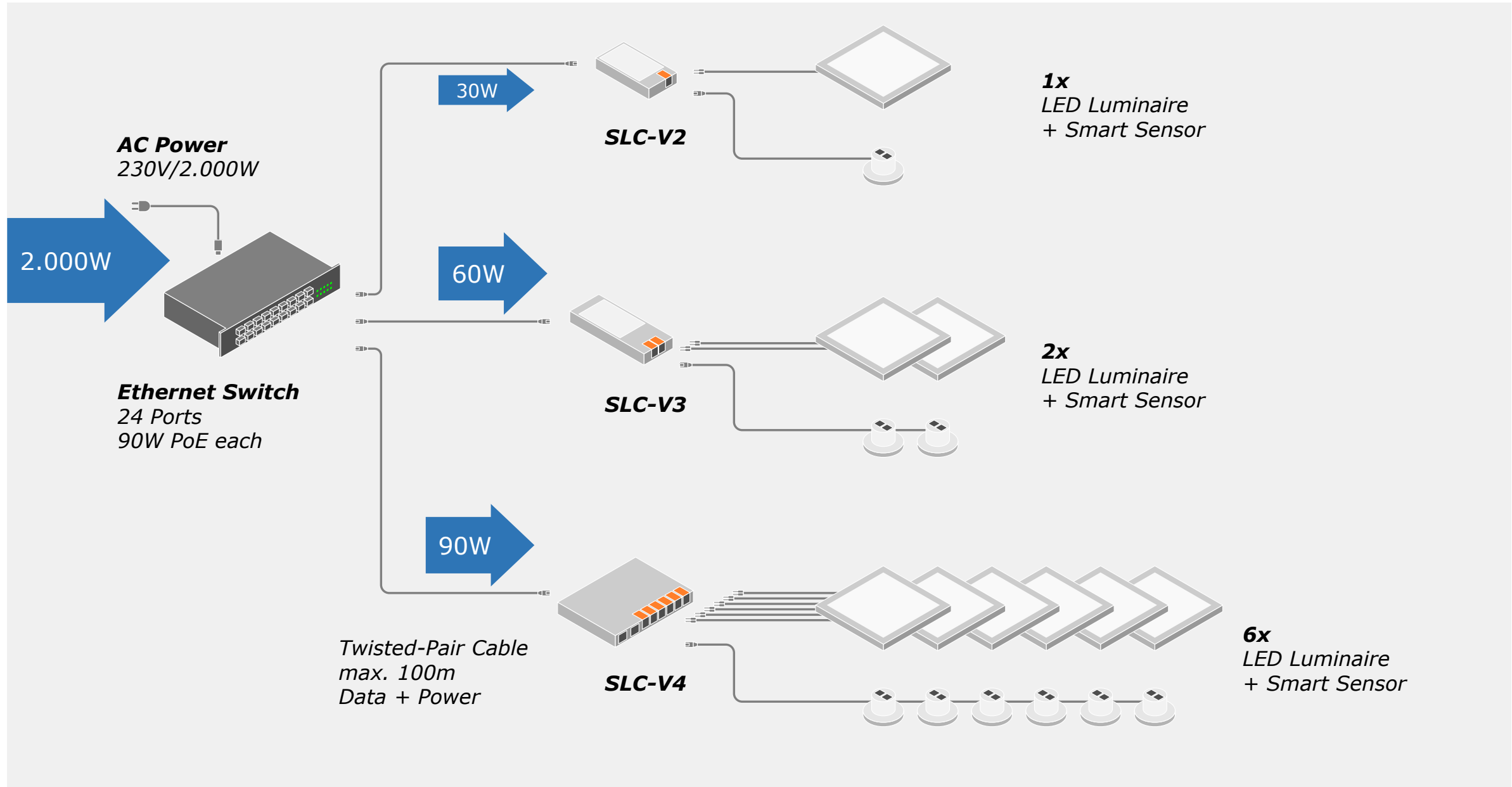
**Microsens**

**Product overview  
Smart Building  
Solutions**

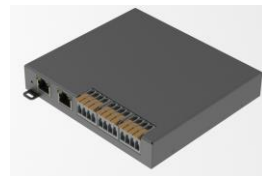
---

# Smart Lighting

# PoE Lighting System



# Smart Lighting Controllers



**MS660104M**

6 Channel Smart Lighting Controller max. 90 W



**MS660103M**

2 Channel Smart Lighting Controller max. 60 W

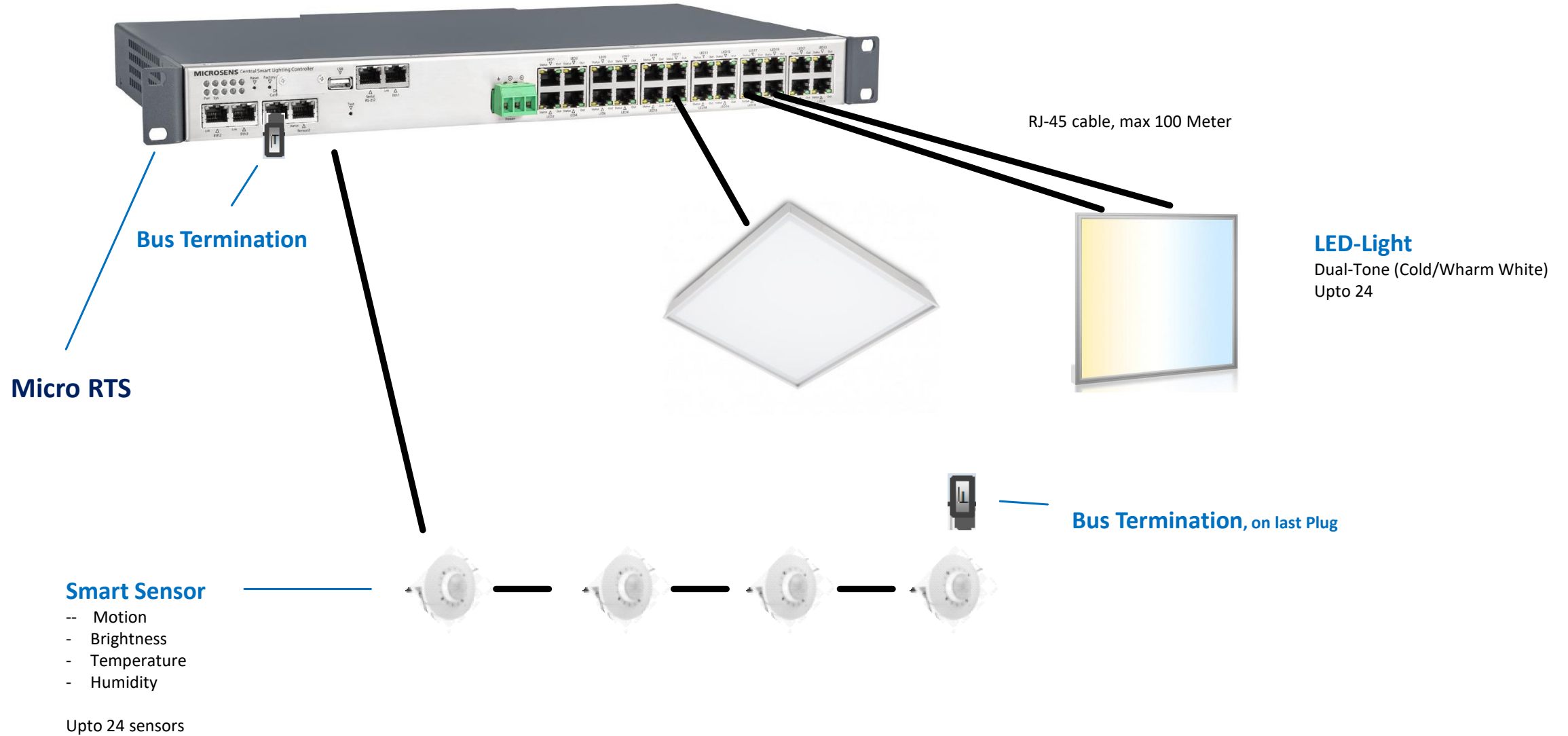
- Provides electrical power to a connected LED light via Power-over-Ethernet (POE+, upto 30W)
- Selectable dimming functions for brightness control through Smart Director
- Manual Dimming, setting of Dimming-Level
- Communicates with a connected sensor device
- Support MICROSENS Smart Sensor
- Measurement of LED power consumption
- **2 (60W) and 6 (90W) channel versions available**

## Datasheets:

<https://www.microsens.com/product/smart-lighting-controller-neurongrid>

**MICROSENS**

# DC-Lighting System



# Central Smart Lighting Controller

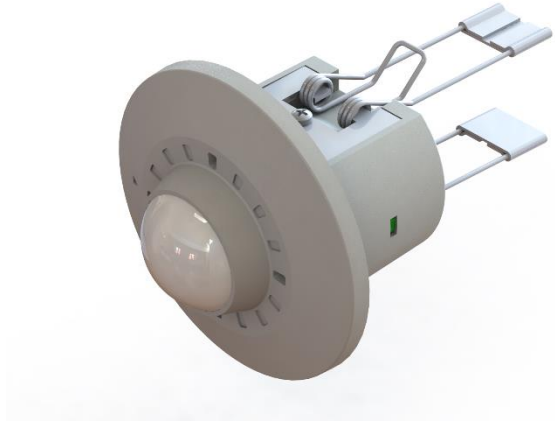


- 24 LED driver channels, max. 1000 W total output power per chassis
- Max. 1A@50V output current per channel
- Fully dimmable 0-100% per channel
- Integrated power monitoring per channel
- RJ-45 jack per channel for direct connection to structured cabling system
- Input: 54 VDC, max. 1100 W
- MQTT interface for monitoring and remote control
- RJ-45 jacks for connection of light level sensors

## Datasheet:

<https://www.microsens.com/product/central-smart-lighting-controller>

# Smart Sensor for CSLC



- Presence detection
- Measurement of ambient light level
- Measurement of temperature
- Measurement of humidity
- RGB LED to be used as indicator of sensor status
- Data interface to MICROSENS Central Smart Lighting Controller
- Powering through MICROSENS Central Smart Lighting Controller

# Smart Sensor



- Presence detection
- Measurement of ambient light level
- Measurement of temperature
- Measurement of humidity
- RGB LED to be used as indicator of sensor status
- Data interface to Smart Lighting Controller
- Powering through Smart Lighting Controller
- Plug and play



# Smart Sensor RADAR



**Snap-In**

improved springs



**Made**



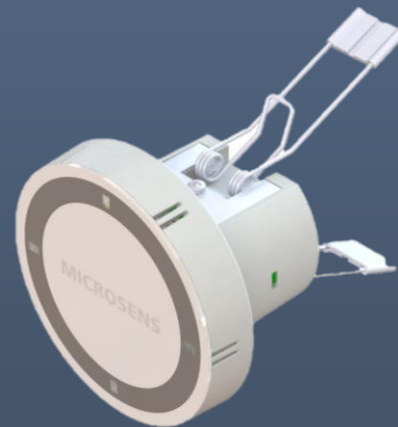
**in**



**Germany**

# Smart Building System

## Smart Sensor RADAR



200 m

**NeuronGrid Sensor Bus**



**0 - 60 °C**



3 m

**∅ = 9 m**



**10.000 lux**



**10 - 80%**

# Automation

# Smart I/O Controller Digital & Analogue



- Smart I/O Controller for Digital and Analogue Signals
- 10x input,
- 4x output,
- 2x 24 VDC power out,
- 1x 10/100Base-T, RJ-45,
- 1x PoE+ (PD), 1x 24 VDC in
- MQTT integrated (publish & subscribe)
- Firmware interface to MICROSENS Smart Director App

## Datasheet:

<https://www.microsens.com/product/smart-io>

# Smart I/O Controller



- Smart I/O Controller for Digital Signals
- 10x digital input and 8x digital output ports
- 1x 24 VDC power output for sensor / actor supply
- MQTT integrated (publish & subscribe)
- Bivalent power input via PoE+ (PD) or external 24 VDC input
- Firmware interface to MICROSENS Smart Director App
- LEDs for input / output monitoring
- 1x Fast Ethernet network interface

## Datasheet:

<https://www.micosens.com/product/smart-io-digital>

## Lighting



- Manual operation
  - ▶ Dim level
  - ▶ Color



- Auto Dimming
  - ▶ Daylight harvesting



Human Centric Lighting



- Occupancy
  - ▶ Room Timeout
  - ▶ Minimum Brightness



Follow-Me Light  
for corridors

## Heating/Cooling



- Valve Control
  - ▶ Room Temperature
  - ▶ Day/Night/Standby
  - ▶ Dew Point Detection

## Graphical Web Interface



- ▶ Global/per room
- ▶ Scenes/Direct operation
- ▶ Statistics
- ▶ Easy customizable

## Smart Director App v100



## Blinds



- ▶ Manual Up/Down/Tilt
- ▶ Scene controlled

## Switched Outlets



- ▶ Manual operation
- ▶ Scene controlled
- ▶ via Occupancy

## Smart Devices



**64**

## Sensor Values



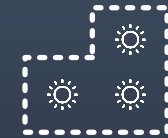
**500**

## LED Lights



**250**

## Light Zones



**12**

## Rooms



**12**

## Satisfaction



**100%**

# **Smart Building Manager (BMS)**

# Smart Building Manager



## Smart Building Manager

- Pricing depends on number of Datapoints, features and size of building. Price in quote is estimated price for complete building + yearly software update.

### Features may include:

- Global facility management for comfort hotel guests and staff;
- Optimizing the work of installed devices;
- control of hotel rooms,
- Lighting control in hotel corridors;
- Control of thermal comfort and lighting in common areas;
- Information management from the PMS hotel system through the FIAS protocol;
- Ongoing tracking of all systems integrated into the BMS system and visualizing their condition;
- Monitoring of electrical installations;
- Monitoring of pumps, separators and pressure booster systems;
- Monitoring and control of air handling units
- Monitoring and control of VRV and SPLIT air conditioning devices
- Monitoring the parameters of lifts;
- Monitoring of the fire protection system

**THANK YOU!**

**Artur Wojdan**

Head of Project  
Management - Smart  
Building Solutions

[awojdan@microsens.pl](mailto:awojdan@microsens.pl)

MICROSENS GmbH & Co. KG  
Wrocław, Poland